

Non-Metallic Boxes

Industrial Grade - 8000 Series

Portable Power

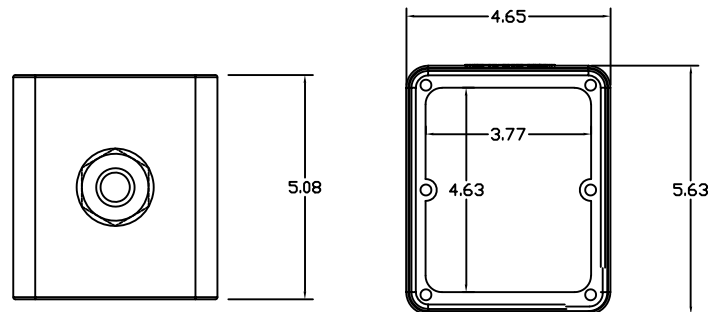


Industry Leading Features:

- ⊕ Non-conductive TPV boxes are crush and jobsite oil resistant.
 - Available in extra deep "quad" size to accommodate a wide range of potential configurations
- ⊕ Plates are available in outdoor and indoor configurations
 - 8000 boxes are available with rugged cord grip seals that resist moisture and dust penetration.
 - Available with Wire Mesh grips for pendant and rugged use applications
 - Available with feed-through option for stringer applications
- ⊕ Boxes accommodate 1/2 - 1" openings & counterbored for wire mesh fittings

⊕ *Industry Leading, Ericson Exclusive*

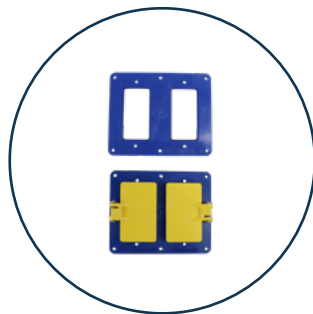
8000 Series Dimensions:



Unique Features:



TPV Construction for rugged applications



Plates available for indoor and outdoor applications



Compression Grip for secure cable and dust/moisture resistance



Optional mesh available for additional strain relief

8000 Series Selection Guide

8000 Series portable electrical enclosures with large internal wiring area, allows for cords from 18/3 to 6/4 ga. Rugged and durable, these outlet boxes are engineered to provide protection in harsh conditions. **Select wall plates from tables on page 3.**

Part Number	Box Color*	Description	Number of Openings	Cord Clamp Bushing NPT (inch)	Feed-through
8005	Yellow	Box with 1, 1/2" npt Opening and nonmetallic grip	1	1/2"	No
8005B	Black	Box with 1, 1/2" npt Opening and nonmetallic grip	1	1/2"	No
8005F	Yellow	Box with 2, 1/2" npt Openings (1 Opening at each end) and nonmetallic grips	2	1/2"	Yes
8005FB	Black	Box with 2, 1/2" npt Openings (1 Opening at each end) and nonmetallic grips	2	1/2"	Yes
8034	Yellow	Box with 1, 3/4" npt Opening and nonmetallic grip	1	3/4"	No
8034B	Black	Box with 1, 3/4" npt Opening and nonmetallic grip	1	3/4"	No
8034-OR	Orange	Box with 1, 3/4" npt Opening and nonmetallic grip	1	3/4"	No
8034F	Yellow	Box with 2, 3/4" npt Openings (1 Opening at each end) and nonmetallic grips	2	3/4"	Yes
8034FB	Black	Box with 2, 3/4" npt Openings (1 Opening at each end) and nonmetallic grips	2	3/4"	Yes
8010	Yellow	Box with 1, 1" npt Opening and nonmetallic grip	1	1"	No
8010B	Black	Box with 1, 1" npt Opening and nonmetallic grip	1	1"	No
8010F	Yellow	Box with 2, 1" npt Openings (1 Opening at each end) and nonmetallic grips	2	1"	Yes
8010FB	Black	Box with 2, 1" npt Openings (1 Opening at each end) and nonmetallic grips	2	1"	Yes

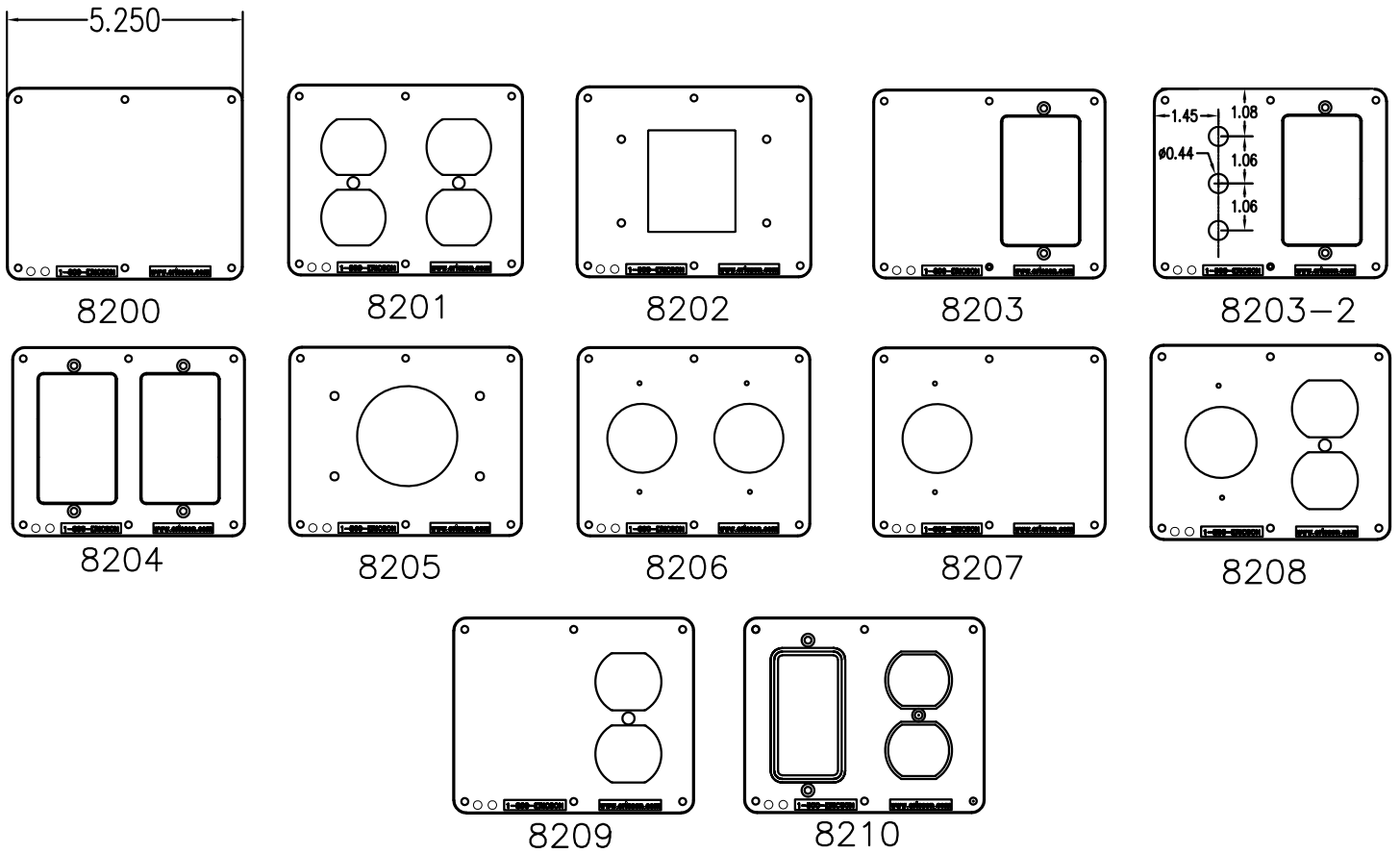
Note: Environmental rating is dependent on the type of plate used (indoor or outdoor)

Note:* Custom colors are available.

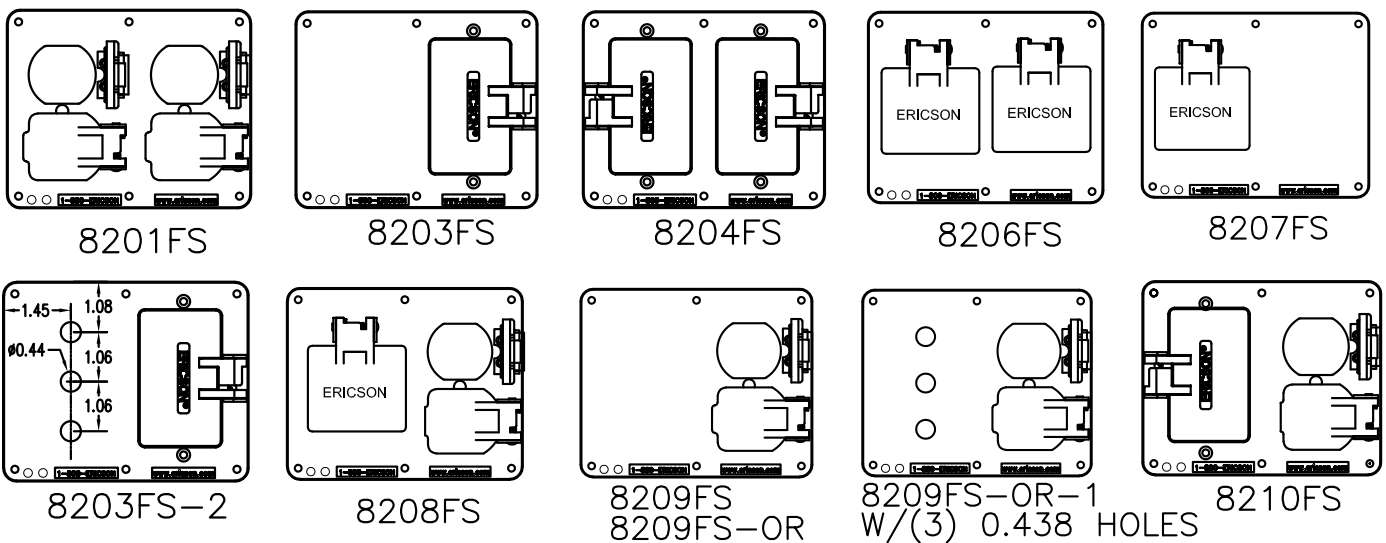


Nonmetallic cord grip included.

8000 Series Indoor Cover Plates



8000 Series Weather Resistant Cover Plates



8000 Series Indoor Cover Plates

Part Number	Color	"Indoor Cover Plates (WR plates have WR Covers over openings)"	Description
8000 Box Series (2-gang) cover plates			
8200	Blue	Indoor	Blank
8200B	Black	Indoor	Blank
8201	Blue	Indoor	(2) Duplex Receptacles
8201B	Black	Indoor	(2) Duplex Receptacles
8202	Blue	Indoor	(1) GFCI Panel Mount (1075)
8203	Blue	Indoor	(1) GFCI Duplex Receptacle
8203-2	Blue	Indoor	(1) GFCI Duplex with (3) Push Button Breaker Openings
8203B	Black	Indoor	(1) GFCI Duplex Receptacle
8204	Blue	Indoor	(2) GFCI Duplex Receptacles
8204B	Black	Indoor	(2) GFCI Duplex Receptacles
8205	Blue	Indoor	(1) RV TT-30 Receptacle Opening
8206	Blue	Indoor	(2) Single 1.572" Diameter Opening
8206B	Black	Indoor	(2) Single 1.572" Diameter Opening
8207	Blue	Indoor	(1) Single 1.572" Diameter Opening
8207B	Black	Indoor	(1) Single 1.572" Diameter Opening
8208	Blue	Indoor	(1) Duplex Receptacle & (1) Single 1.572" Diameter Opening
8208B	Black	Indoor	(1) Duplex Receptacle & (1) Single 1.572" Diameter Opening
8209	Blue	Indoor	(1) Duplex Receptacle
8209B	Black	Indoor	(1) Duplex Receptacle
8210	Blue	Indoor	(1) Duplex Receptacle & (1) GFCI Duplex Receptacle

8000 Series Weather Resistant Cover Plates

Part Number	Color	Outdoor Cover Plates (WR has covers on plates)"	Description
8000 Box Series (2-gang) cover plates			
8201FS	Blue	Weather Resistant	(2) Duplex Receptacles with Yellow WP Covers
8201FS-OR	Orange	Weather Resistant	(2) Duplex Receptacles with Orange WP Covers
8201FSB	Black	Weather Resistant	(2) Duplex Receptacles with Yellow WP Covers
8203FS	Blue	Weather Resistant	(1) GFCI Duplex Receptacle with Yellow WP Covers
8203FS-2	Blue	Weather Resistant	(1) GFCI Duplex Receptacle with (3) Push Breaker Openings
8203FSB	Black	Weather Resistant	(1) GFCI Duplex Receptacle with Yellow WP Covers
8204FS	Blue	Weather Resistant	(2) GFCI Duplex Receptacles with Yellow WP Covers
8204FSB	Black	Weather Resistant	(2) GFCI Duplex Receptacles with Yellow WP Covers
8206FS	Blue	Weather Resistant	(2) Single 1.572" Diameter Openings with Yellow WP Covers
8207FS	Blue	Weather Resistant	(1) Single 1.572" Diameter Openings with Yellow WP Covers
8208FS	Blue	Weather Resistant	(1) Duplex & (1) Single 1.572" Diameter Openings with Yellow WP Covers
8209FS	Blue	Weather Resistant	(1) Duplex Receptacle with Yellow WP Covers
8209FS-OR	Orange	Weather Resistant	(1) Duplex Receptacle with Orange WP Covers
8209FS-OR-1	Orange	Weather Resistant	(1) Duplex Receptacle with Orange WP Covers with (3) Push Breaker Openings
8209FSB	Black	Weather Resistant	(1) Duplex Receptacle with Yellow WP Covers
8210FS	Blue	Weather Resistant	(1) Duplex Receptacle & (1) GFCI Duplex with Yellow WP Covers

8000 Series Box Strain Relief Kits

Indoor Galvanized Aluminum Wire Mesh Strain Relief		
Size	Part Number	Cable Range
1/2" NPT	SR-022	.24-.32
1/2" NPT	SR-030	.32-.43
1/2" NPT	SR-040	.43-.54
3/4" NPT	SR-052	.54-.73
1" NPT	SR-070	.73-.97



Dry location only.

Outdoor Watertight Deluxe Stainless Steel Wire Mesh Strain Relief		
Size	Part Number	Cable Range
1/2" NPT	DCG-43-F2	.31-.43
1/2" NPT	DCG-50-F2	.37-.50
3/4" NPT	DCG-50-F3	.37-.50
3/4" NPT	DCG-62-F3	.50-.62
3/4" NPT	DCG-75-F3	.62-.75
1" NPT	DCG-75-F4	.62-.75
1" NPT	DCG-87-F4	.75-.87
1" NPT	DCG-100-F4	.87-1.0



Nonmetallic Cord Grips Kit <i>(Includes cord grip insert, grip nut, and lock nut)</i>		
Non-Metallic Cord Grip	Part Number	Cable Range
1/2" NPT	82005	.37-.61
1/2" NPT	82005B	.37-.61
3/4" NPT	82034	.45-.70
1" NPT	82010	.59-1.0



Replacement Screws for 8000 Series Plates		
Part Number	Description	
80SCPKG	Screw Package for 8000 Series Boxes	
80SCPKGPL	Screw Package for 8000 Series Plates	



Metallic Lock Nuts		
Size	Part Number	
1/2" NPT	Locknut-50	
3/4" NPT	Locknut-75	
1" NPT	Locknut-100	



Note: 6100 Series are supplied standard with Non-Metallic Cord Grip

Related Products:

Click or scan a QR code to learn more about our products.

ericson.com



[6000/6100 Series](#)



[Perma-Link](#)



[Perma-Grip](#)



[Perma-Tight](#)



[PWDX Series](#)



[FS Series](#)



[Indoor & Outdoor Wire Mesh](#)



[Wire Mesh Support Grips](#)



[Smart Monitor](#)



[Smart Monitor Watertight IP69K](#)



[Factory Assembled Power Drops](#)



[Industrial Cord Reel Series](#)