

Indoor Outlet Boxes

15-30 Amp Power Drops

Portable Power



6000 Series



8000 Series



Standard Features:

- Constructed of Crush and Chemical Resistant TPV
- Electrically safe non-metallic multi-color enclosure
- Myriad of plate and configuration options
- Custom cord type, length, color
- Cord Grip and Mesh Options Available
- Combine with Ericson Cord Reels for Increased Flexibility

Applications:

- Indoor Applications with Overhead Power
- Retail Displays
- Warehouse Convenience and Conveyor Applications with Relocatable Cells or Work Stations
- Data Center Applications

Unique Features:



Boxes available in several color options




Available in Wire Mesh, Cord Grip and Cord Clamp Strain Relief



Wire Mesh Support Grips & Springs Available

Selection Guides:

Series	NEMA Code	Cable Length	# of sides w/ recepts	Cable Size	Option: Box Strain Relief Type	Option: Support Grip	Option: Primary Plug
60	5	25-	2	123-	WM	BD	4
60 = Single Gang Box 80 = Double Gang Box (*Std Color = Yellow)	(See Step 2 in Chart below)	10' 25' 50' 60'	1 2	143 = 14/3 123 = 12/3 103 = 10/3 124 = 12/4 104 = 10/4 (Std Color = Black)	Blank = Standard Cord Grip WM = Wire Mesh Strain Relief Grip	Blank = Standard Cord Grip, No Wire Mesh or Spring. BD = Standard Indoor Strain Relief 	0 = Blunt end 1 = NEMA 5-15P 4 = NEMA 5-20P X = use NEMA CODE in Chart
						Support Wire Mesh Grip	

Notes:*Standard configuration is a Yellow box, Blue plates & Black receptacles, Black SOOW or SEOW cable and Yellow Wiring Device(s).

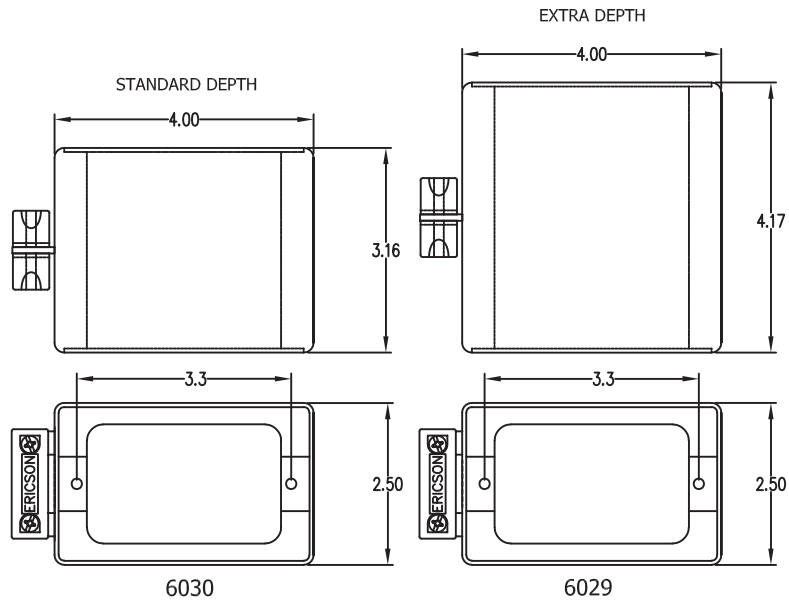
*Add "B" at the end of the part number for an all Black version.

*Contact factory for special cable & color options

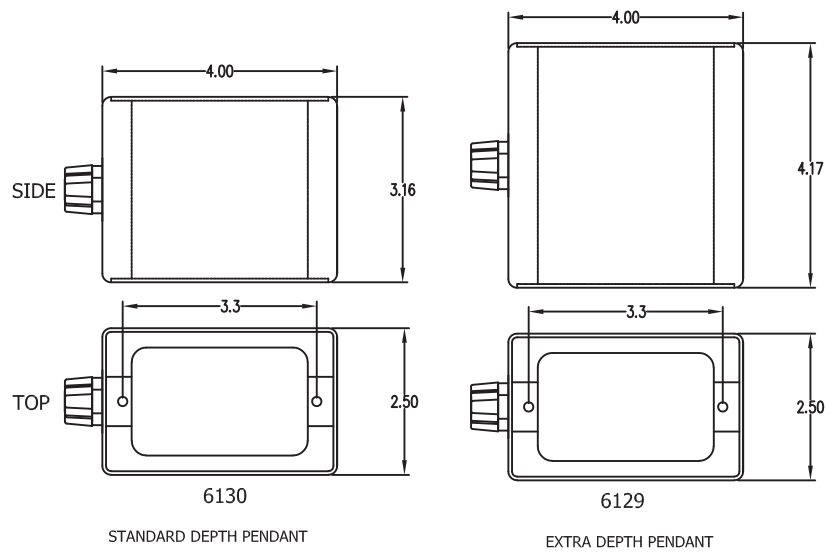


				Single Gang Outlet Box				Double Gang Outlet Box			
Electrical Rating				Indoor Rated				Indoor Rated			
Voltage	Poles/Wires	AMPs	NEMA	Step 1: 6000 Series Part #	Step 2: NEMA Code	# of recepts per side	Coverplate Part # Ref	Step 1: 8000 Series Part #	Step 2: NEMA Code	# of recepts per side	Coverplate Part # Ref
125V	2P/3W	15	5-15R	60	1	1	6032	80	2	4	8201
			5-15R Duplex	60	2	2	6031				
			5-15RGFCI Duplex	60	3	2	6035				
125V	2P/3W	20	5-20R	60	4	1	6032	80	5	4	8201
			5-20R Duplex	60	5	2	6031				
			5-20RGFCI Duplex	60	6	2	6035				
250V	2P/3W	15	6-15R	60	7	1	6032	80	7	2	8206
250V	2P/3W	20	6-20R	60	8	1	6032	80	8	2	8206
125V	2P/3W	15	L5-15R	60	9	1	6032	80	9	2	8206
250V	2P/3W	20	L6-20R	60	10	1	6032	80	10	2	8206
277V AC	2P/3W	20	L7-20R	60	11	1	6033	80	11	2	8206
125V	2P/3W	20	L5-20R	60	12	1	6033	80	12	2	8206
250V	2P/3W	20	L6-20R	60	13	1	6033	80	13	2	8206
277V AC	2P/3W	20	L7-20R	60	14	1	6033	80	14	2	8206
125V	2P/3W	30	L5-30R	60	15	1	6033	80	15	2	8206
250V	2P/3W	30	L6-30R	60	16	1	6033	80	16	2	8206
277V AC	2P/3W	30	L7-30R	60	17	1	6033	80	17	2	8206
125/250V AC	3P/4W	20	L14-20R	60	18	1	6033	80	18	2	8206
3PH 250V AC	3P/4W	20	L15-20R	60	19	1	6033	80	19	2	8206
3PH 480V AC	3P/4W	20	L16-20R	60	20	1	6033	80	20	2	8206
125/250V AC	3P/4W	30	L14-30R	60	21	1	6033	80	21	2	8206
3PH 250V AC	3P/4W	30	L15-30R	60	22	1	6033	80	22	2	8206
3PH 480V AC	3P/4W	30	L16-30R	60	23	1	6033	80	23	2	8206
3PH 600V AC	3P/4W	30	L17-30R	60	24	1	6033	80	24	2	8206

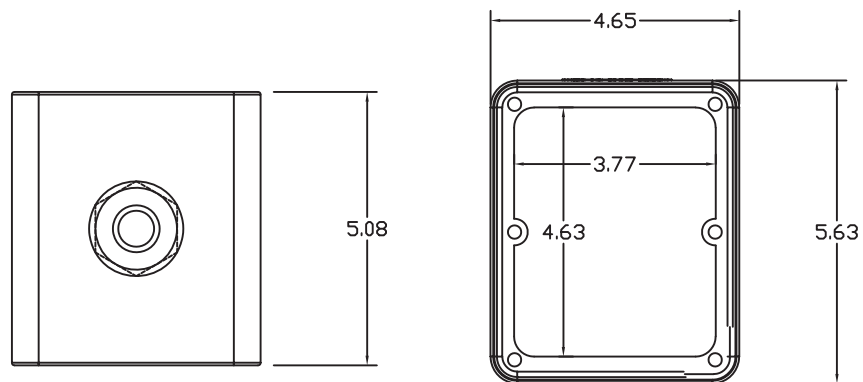
6000 Series Box Dimensions:



6100 Series Box Dimensions:



8000 Series Box Dimensions:





60560-2123-WMBDO



601560-1103-WMBDO



60225-2143-1



80525-2123-WMBD4



80625-2104-21



Support Wire Mesh Grip



40 LB Spring

Popular Configurations:

Part Number	Non-Metallic Box Series	Amps	Volts	NEMA Type	# of Recepts (plug ins)	Cable Length (ft)	Cable Type	Box Strain Relief	Supply Cable Strain Relief	Supply Config
60560-2123-WMBDO	6000	20	125	(2) 5-20R Duplex Receptacles	4	60	12/3 SOW BLK	Wire Mesh Grip	Bus Drop Grip +40lb Spring	Blunt/Flying Leads
601560-110 3-WMBDO	6000	30	125	(1) L5-30R Locking Receptacle	1	60	10/3 SOW BLK	Wire Mesh Grip	Bus Drop Grip +40lb Spring	Blunt/Flying Leads
60525-2123-WMBD4	6000	20	125	(2) 5-20R Duplex Receptacles	4	25	12/3 SOW BLK	Wire Mesh Grip	Bus Drop Grip +40lb Spring	5-20P Plug
60225-2143-1	6000	15	125	(2) 5-15R Duplex Receptacles	4	25	14/3 SOW BLK	Cord Grip	None	5-15P Plug
80525-2123-WMBD4	8000	20	125	(4) 5-20R Duplex Receptacles	8	25	12/3 SOW BLK	Wire Mesh Grip	Bus Drop Grip +40lb Spring	5-20P Plug
80625-2104-21	8000	30	120/240	(2) 5-20R GFCI & (2) 5-20R Duplex Receptacles	8	25	10/4 SOW BLK	Cord Grip	None	L14-30 Plug

Related Products:



6000/6100 Series



Perma-Link



Perma-Grip



Perma-Tight



PWDX Series



FS Series



8000 Series



Industrial Cord Reel Series