

1009-HAZ Series

Hazardous Location High Bay

Jobsite Lighting



Standard Features:

- High efficacy: up to 140lm/W
- CRI>80
- Surface and pendant mounting
- Copper free aluminum enclosure
- High vibration resistance
- 5 year warranty
- Ambient temperature range: -40°C to 60°C

Market Applications:

- Oil & gas industries
- Refineries
- Pumping stations
- Mining
- Vessel lighting
- High humidity areas
- High temperature locations
- Painting Applications
- Industrial Manufacturing

Ratings and Certifications:

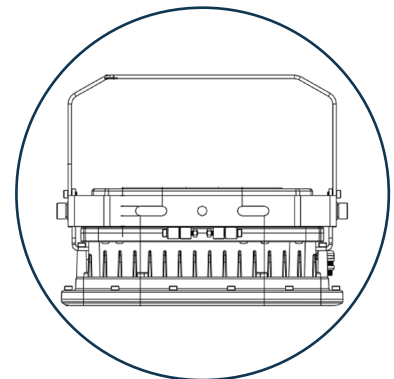
- cETLus
- UL844
- NEMA 4X, IP66
- CSA C22.2 No.137/No.250.0
- Class I Division 2, Groups A, B, C, D
- Class II Division 1, Groups E, F, G
- Class II Division 2, Groups E, F, G
- Class III
- Marine and Wet locations
- UL 1598 / UL1598A



8400, 11200 & 14000
Lumen Outputs



Wet Location, Marine Duty
NEMA 4X, IP66



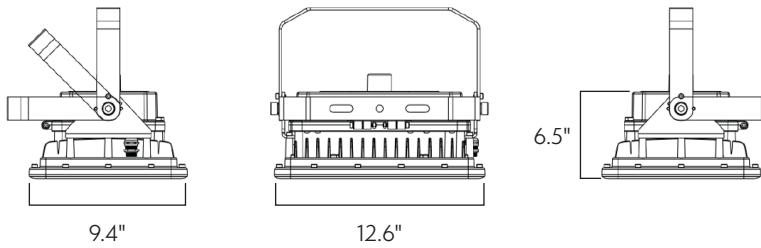
Trunnion or rigid conduit
pendant mounting

Selection Guide:

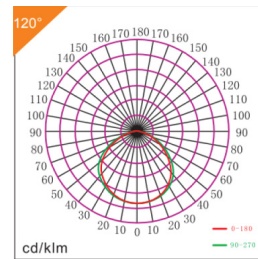
| Part Number | Wattage | CCT | Voltage* | Lumens | Working Hours | CRI |
|--------------|---------|-------|------------|--------|---------------|-----|
| 1009-HAZ-60 | 60 | 5000K | AC100-277V | 8400 | 5 years | 80 |
| 1009-HAZ-80 | 80 | 5000K | AC100-277V | 11200 | 5 years | 80 |
| 1009-HAZ-100 | 100 | 5000K | AC100-277V | 14000 | 5 years | 80 |

*480V driver available

Structure Diagram:



Photometrics:



Related Products:

Click on an image or scan the QR Code for more product information.



SL-HAZ String Light
[Class 1, Div 2](#)



1007 High Bay
[Class 1, Div 1](#)



2600 Series String Light
[Class 1, Div 1](#)



Ericson Manufacturing Company
4323 Hamann Parkway
Willoughby, OH 44094, USA



1-800-ERICSON
info@ericson.com
L1000790H

ericson.com