

FS Style


Watertight Receptacles, Covers, & Boxes



ERICSON
SAFETY IS OUR STANDARD

Industry Leading Features:

- UL Listed & CSA Certified
- ☞ Rainproof when connected to Ericson-PW6P style plugs
- ☞ 15-20-Amp Straight Blade and 15-30-Amp Locking Male Inlet and Receptacle Configurations supporting Ericson Watertight Plugs
- Spring Loaded Cover
- Space Saving surface mount design for panel or FS/FD mounting
- ☞ Wide range of Rugged Chemical and Corrosion Resistant Rubber FS, FD and Open style box options for feed-in and feed-through
- ☞ Non-Metallic Cord Grip and Deluxe Wire Mesh Strain Relief Available
- ☞ Available Factory assembled cord drops

 **Industry Leading, Ericson Exclusive**



Supports Perma-Tite & Perma-Kleen Plugs



15 & 20-AMP Straight &
15-30-Amp Locking Plugs



Perma-Tite



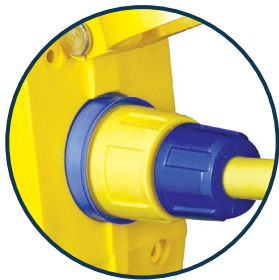
Perma-Kleen

Learn more about Ericson
watertight connections.

Unique Features:



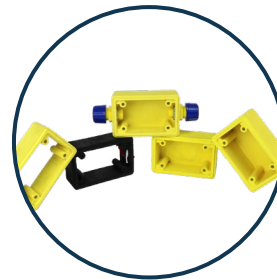
Supports Water-Tight
Straight and Locking
Plugs and Connectors



Rain tight seal when
connected to Ericson
watertight plugs



Spring Loaded
Cover



Rubber FS, FD and
Open Box options



Factory Assembled
Cord Drops available

NEMA Configuration Chart

	Face View	NEMA Configuration	Amps	Voltage	FS Female Receptacle	Mating Perma-Tite Plug*	Male Inlet Std Opening	Male Inlet Large Opening	Mating Perma-Link Connector
	Weatherproof Cover and boot only				2700-FS ¹		1 7/8" Diameter	2" Diameter	
2-Pole / 3-Wire		NEMA 5-15	15A	125V	2715-FS10	1510-PW6P	2705-15	2705-15A	
		NEMA 5-20	20A	125V	2715-FS12	1512-PW6P	2705-20	2705-20A	
		NEMA L5-15	15A	125V	2715-FS20	1520-PW6P	2705-L15	2705-L15A	
	Weatherproof Cover and boot only				2800-FS ¹		2 1/8" Diameter		
		NEMA L5-20	20A	125V	2820-FS10	2310-PW6P	2705-L20		2410-C
		NEMA L5-30	30A	125V	2830-FS10 ³	2510-PW6P			
		NEMA 6-15	15A	250V	2715-FS14	1514-PW6P			
		NEMA 6-20	20A	250V	2715-FS16	1516-PW6P			
		NEMA L6-15	15A	250V	2715-FS22	1522-PW6P			
		NEMA L6-20	20A	250V	2820-FS12	2312-PW6P			
		NEMA L6-30	30A	250V	2830-FS12 ³	2512-PW6P			
		NEMA L7-15	15A	277V	2715-FS24	1524-PW6P			
	NEMA L7-20	20A	277V	2820-FS14	2314-PW6P				
	NEMA L7-30	30A	277V	2830-FS14 ³	2514-PW6P				
3-pole 3-wire		Non-NEMA ¹	20A	125 / 250V	2820-FS16	2316-PW6P			
		Non-NEMA ¹	20/10A	250 / 600V	2820-FS17	2317-PW6P			
		Non-NEMA ¹	15/10A	125 / 250V	2715-FS07 ⁴	1507-PW6P			
	Weatherproof Cover and boot only				2900-FS ¹		2 1/8" Diameter		
3-pole / 4-wire		NEMA L14-20	20A	125 / 250V	2920-FS20	2320-PW6P	2705-L142		2420-C
		NEMA L14-30	30A	125 / 250V	2930-FS20	2520-PW6P			
		NEMA L15-20	20A	250V / 3-phase	2920-FS22	2322-PW6P			
		NEMA L15-30	30A	250V / 3-phase	2930-FS22	2522-PW6P			
		NEMA L16-20	20A	480V / 3-phase	2920-FS24	2324-PW6P	2705-L162		2424-C
		NEMA L16-30	30A	480V / 3-phase	2930-FS24	2524-PW6P			
		NEMA L17-30	30A	600V / 3-phase	2930-FS26	2526-PW6P			
3P 3W		Non-NEMA ¹	30A	125 / 250V	2830-FS16 ³	2516-PW6P			
4-pole 4-wire		NEMA L18-30	30A	120 / 208V 3-phase wye	2930-FS30	2530-PW6P			
		Non-NEMA ¹	30A	120 / 208V 3-phase wye	2930-FS28	2528-PW6P			
4-pole 5-wire		NEMA L21-20	20A	120 / 208V 3-phase wye	2820-FS28	2328-PW6P			

¹All non-NEMA configurations are non-grounding

²Does not include receptacle. Use with standard receptacles of same electrical ratings.

³More than one face size available on the market. Check for 2.53" face diameter.

⁴2715 - FS07 not listed.


*For Perma-Kleen Plugs, add -AM after part number


6200 Series Boxes for FS Series Mounting


Part Number	Description	
6212FSK	Box, Std Depth, No bushing, 1/2" NPT	  <p>Wall Mounting Kit 6260WK</p>
6234FSK	Box, Std Depth, No bushing, 3/4" NPT	
6210FSK	Box, Std Depth, No bushing, 1" NPT	
6212FDK	Box, Deep, No bushing, 1/2" NPT	
6234FDK	Box, Deep, No bushing, 3/4" NPT	
6210FDK	Box, Deep, No bushing, 1" NPT	
6212NFSK	Box, Std Depth, NM Bushing, 1/2" NPT	   <p>Std. w/ Mesh Open w/ Mesh</p>
6212NFDK	Box, Deep, NM Bushing, 1/2" NPT	
6212WFSK	Box, Std Depth, Wire Mesh Bushing, 1/2" NPT	
6212WFDK	Box, Deep, Wire Mesh Bushing, 1/2" NPT	
6234NFSK	Box, Std Depth, NM Bushing, 3/4" NPT	
6234NFDK	Box, Deep, NM Bushing, 3/4" NPT	
6234WFSK	Box, Std Depth, Wire Mesh Bushing, 3/4" NPT	   <p>Deep w/ Mesh</p>
6234WFDK	Box, Deep, Wire Mesh Bushing, 3/4" NPT	
6210NFSK	Box, Std Depth, NM Bushing, 1" NPT	
6210NFDK	Box, Deep, NM Bushing, 1" NPT	
6210NFTK	Box, Feed Through, NM Bushing, 1" NPT	
6210WFSK	Box, Std Depth, Wire Mesh Bushing, 1" NPT	
6210WFDK	Box, Deep, Wire Mesh Bushing, 1" NPT	
6210WFTK	Box, Feed Through, Wire Mesh Bushing, 1" NPT	

Watertight Wire Mesh, Cord Grip & Lock Nut Selection Charts

Watertight Deluxe Wire Mesh Strain Relief		
Size	Part Number	Cable Range
1/2" NPT	DCG-43-F2	.31-.43
1/2" NPT	DCG-50-F2	.37-.50
3/4" NPT	DCG-50-F3	.37-.50
3/4" NPT	DCG-62-F3	.50-.62
3/4" NPT	DCG-75-F3	.62-.75
1" NPT	DCG-75-F4	.62-.75
1" NPT	DCG-87-F4	.75-.87
1" NPT	DCG-100-F4	.87-1.0



6200 FS, Feed Through and FD Style Industrial Grade, Watertight, Non-Metallic Boxes			
Non-Metallic Cord Grip	Part Number	Cable Range	
1/2" NPT	82005	.37-.61	 <p>3/4" 1"</p>
3/4" NPT	82034	.45-.70	
1" NPT	82010	.59-1.0	

Lock Nuts (10pcs to polybag)		
Size	Part Number	
1/2" NPT	Locknut-50	
3/4" NPT	Locknut-75	
1" NPT	Locknut-100	

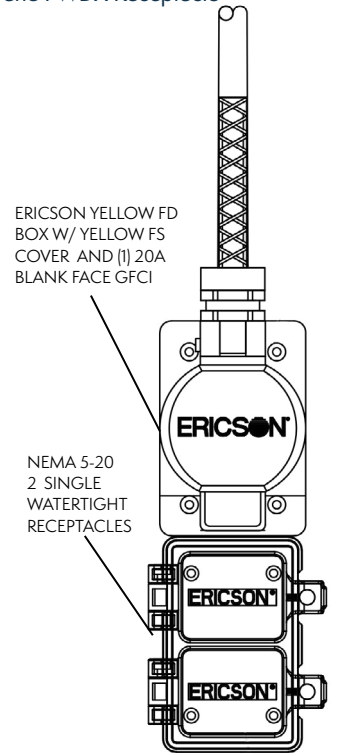


Ericson Watertight Grommet Guide for Nonmetallic Boxes - 6200 Series, PWDX & FS Series

MAX CORD DIA.(inch)	B10200XX**					
	Small White OVAL #24	Small Orange OVAL #25	Small Yellow #21	Small White #20	Small Red #16	Small Blue #18
	.160 x .360 OVAL (UF)	.230 x .440 OVAL (UF)	.370	.450	.560	.610
NM Box Catalog #			Yellow	White**	Red	Blue
6212NFS	✓	✓	✓	✓	✓	✓
6212NFD	Optional**	Optional**	✓	✓	✓	✓
6212NFSK			✓	✓	✓	✓
6212NFDK			✓	✓	✓	✓



2715-FSXX-GFCI Series Combination Watertight FS GFCI and PWDX Receptacle

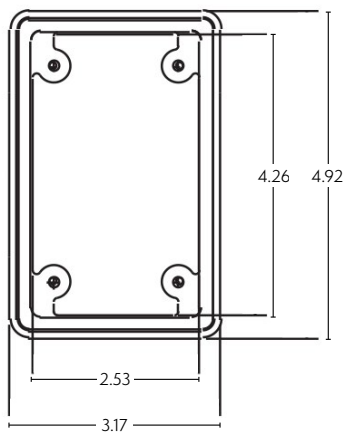


Note:
To build a grommet catalog number replace the "XX" with grommet number desired, e.g. B1020021

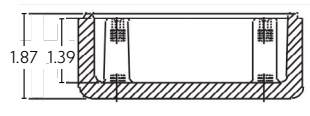
✓ = included in package

*May also appear as light tan
**May be ordered separately - Call for details

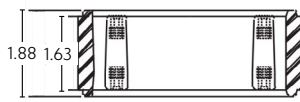
6200 Series Box Dimensions



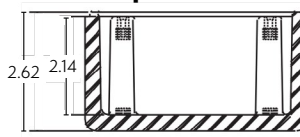
FS Standard



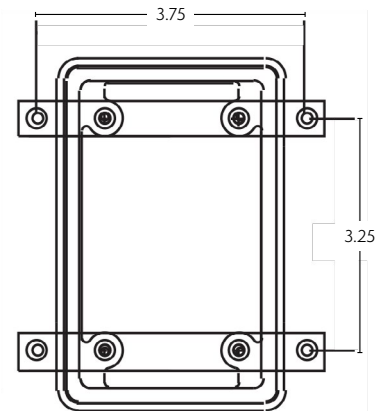
FT Feed Thru



FD Deep



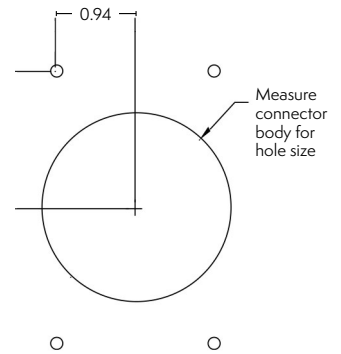
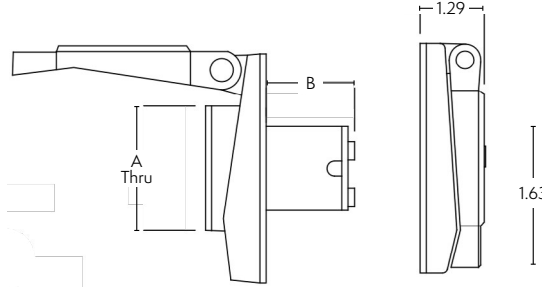
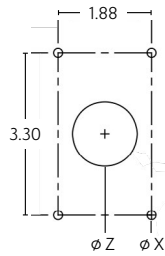
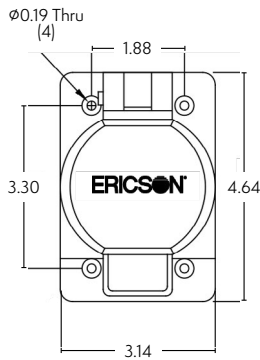
6260 WK Wall Kit



Mounting Templates & Dimensions

2700, 2800 or 2900 Series on Flat Panel

Cover Dimensions



Part Number	A	B	X	Z	AMP
2700 Series	1.42	1.25	.19	1.33	20/15A
2800 Series	1.94	1.8	.19	1.81	30/20A (3-wire)
2900 Series	2.14	1.92	.19	1.98	30/20A (4-wire)

Learn More



Related Products

Click on an image or scan the QR code for more product information.



Perma-Tite
IP69k Water Tight
1510-PW6P, 1610-CW6P



Perma-Kleen Antimicrobial
IP69k Water Tight
1510 PW6P-AM, 1610 CW6P-AM



SmartMonitor
AEGCP Compliant
1510-PW6PL, 1610-CW6PL



PWDX Series Straight and Locking Receptacles



Perma-Tite Cordset



Perma-Kleen Cordset



Smart Monitor Cordset



Pin and Sleeve



Ericson Manufacturing Company
4323 Hamann Parkway
Willoughby, OH 44094, USA



1-800-374-2766
info@ericson.com
L1000883C