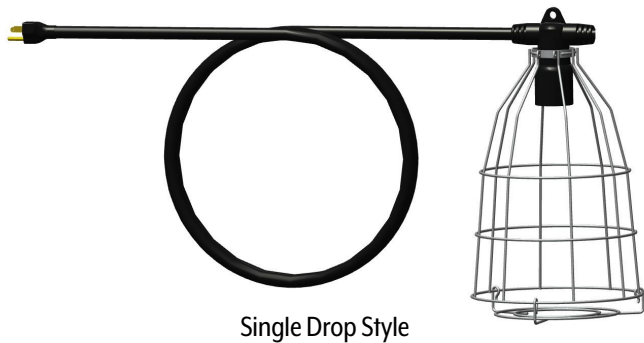


# 1005 LED Series Hi/Lo Baylite



Single Drop Style



String Light Style

## Customizable to Fit Your Needs

Introducing Ericson's 1005 Series Hi/Lo Baylite temporary light fixture that has a wide range of versatility. Customizations can be made with a variety of different bulbs and wattages for a specific application. The Hi/Lo Baylite can be placed in a high (20-45 ft high) or low (<20 ft) overhead clearance area when mounting temporary lighting for your worksite. The 1005 Baylite also features a unique feed-thru style string light option that provides power to additional light fixtures.

## Standard Product Features:

- Overmolded lamp fixture with tough wire guard
- 14/3 SJTW 300V cable with PVC overmolded resin that is designed to withstand extreme environments
- Cable will not crack, split, or fray, and will remain flexible when exposed to low temperatures
- Guard is made out of heavy duty .148 in diameter steel wire and designed to accommodate bulbs up to a 120W LED or 200W CFL
- Easily convert from a high to low bay lighting requirement by changing out the bulb
- Fixtures come with or without bulbs (see page 2 for bulb options)
- Indoor and outdoor use - wet location rated when proper bulb and/or guard is used
- 1-year warranty on fixture
- Made in the USA

## Product Versatility:

- Available as a single drop light fixture or string light series

## Applications:

- Construction
- Emergency Lighting
- Ship Building / Repair
- Industrial
- Tent Lighting
- Aerospace
- Utility Maintenance

## Single Socket Fixture:

Part Number	Product Description
1005-P-250-0	Single socket, 250 wire guard, 3 ft. 14/3 SJTOW blunt primary cord
1005-P-250-1	Single socket, 250 wire guard, 3 ft. 14/3 SJTOW molded NEMA 5-15 plug
1005-P-250-1-LP	Single socket, 250 wire guard, 3 ft. 14/3 SJTOW molded NEMA 5-15 plug, 25 ft. long primary.
1005-PS-250-0	Single socket, 250 wire guard, 3 ft. 14/3 SJTOW blunt primary cord & 3 ft. blunt feed-thru cord
1005-PS-250-1	Single socket, 250 wire guard, 3 ft. 14/3 SJTOW primary cord & 3 ft. feed-thru cord with molded NEMA 5-15 plug and connector
1005-P-215-0	Single socket, 215 lexan guard, 3 ft. 14/3 SJTOW blunt primary cord
1005-P-215-1	Single socket, 215 lexan guard, 3 ft. 14/3 SJTOW molded NEMA 5-15 plug
1005-PS-215-0	Single socket, 215 lexan guard, 3 ft. 14/3 SJTOW blunt primary cord & 3 ft. blunt feed-thru cord
1005-PS-215-1	Single socket, 215 lexan guard, 3 ft. 14/3 SJTOW primary cord & 3 ft. feed-thru cord with molded NEMA 5-15 plug and connector

## String Light Fixture\*:

Part Number	Product Description
1005-14340-250-1	2 sockets, 40' OAL, 20' socket spacing, 250 wire guard, mogul base socket adapters included
1005-14380-250-1	4 sockets, 80' OAL, 20' socket spacing, 250 wire guard, mogul base socket adapters included
1005-14375-250-1	3 sockets, 75' OAL, 25' socket spacing, 250 wire guard, mogul base socket adapters included

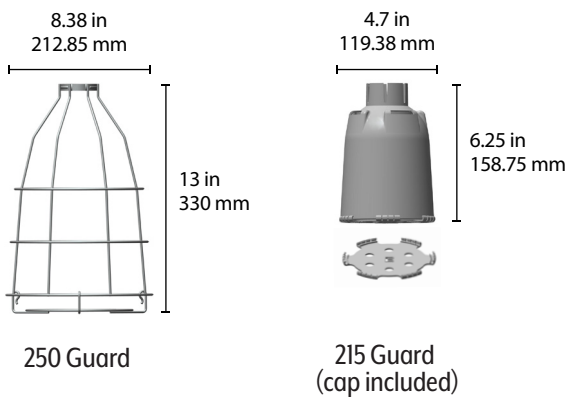
\*String light orders also include 215 rain guards for application versatility.

## Bulb Options\*:

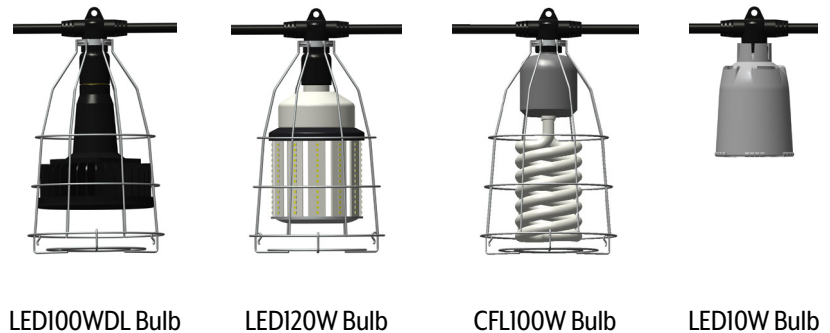
Part Number	Bulb Type	Socket Type	Lumens	Wattage	CCT (kelvin)	CRI	Voltage	Bulb Life Span	Beam Spread (degrees)	Listing	Incandescent Replacement	Fluorescent Replacement	HID Replacement	Guard Type
LED10W	LED	E26	800	9	5000	80+	100-277	50,000 hrs	300°	cULus	60W	14W	n/a	215
LED80W	LED	EX39	10640	80	5000	80+	100-277	50,000 hrs	300°	cULus	400W	100W	320W	250
LED100W	LED	EX39	13300	100	5000	80+	100-277	50,000 hrs	300°	cULus	500W	150W	400W	250
LED100WDL	LED	E39	13500	100	5000	80+	100-277	50,000 hrs	90°	cULus	500W	150W	400W	250
LED120W	LED	EX39	16000	120	5000	80+	100-277	50,000 hrs	300°	cULus	750W	200W	600W	250

\*Hi/Lo fixture can also be used with CFL or incandescent bulbs.

## Guard Options:



## Bulb Versatility:



Ericson Manufacturing Company  
4323 Hamann Parkway  
Willoughby, OH 44094, USA



1.800.374.2766  
info@ericson.com  
www.ericson.com  
LI000764C